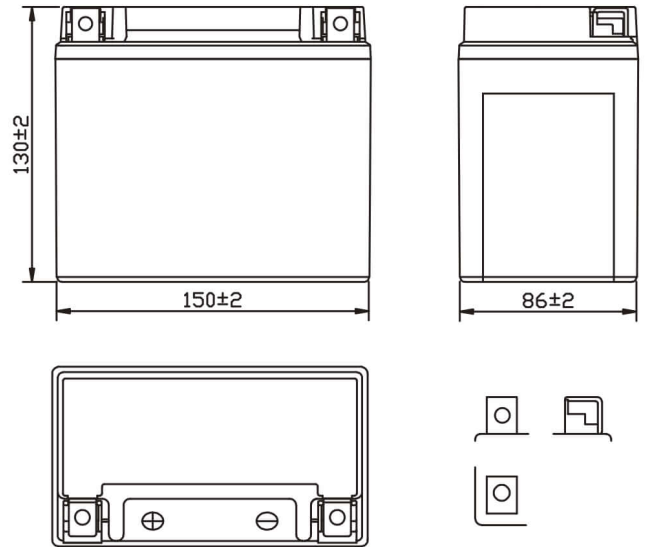
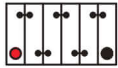


MODEL: YTX12-GEL



Cover	Container Bottom	Terminal	Positive Plate	Negative Plate	Separator	Electrolyte	Safety Valve	Seal Glue
ABS	ABS	Cu	PbO ₂	Pb	AGM	GEL	Rubber	Epoxy Resin

Parameter Chart

Volts	12V		
10 hours rate Capacity(25°C)	12.0Ah		
Dimension	Length	150±2mm(5.91 inch)	
	Width	86±2mm(3.39 inch)	
	Total height	130±2mm(5.12 inch)	
Terminal	Z1/M6		
Weight±3%	3.87Kg(8.51 lbs)		
CCA(-18°C)	140A		
CA(25°C)	210A		

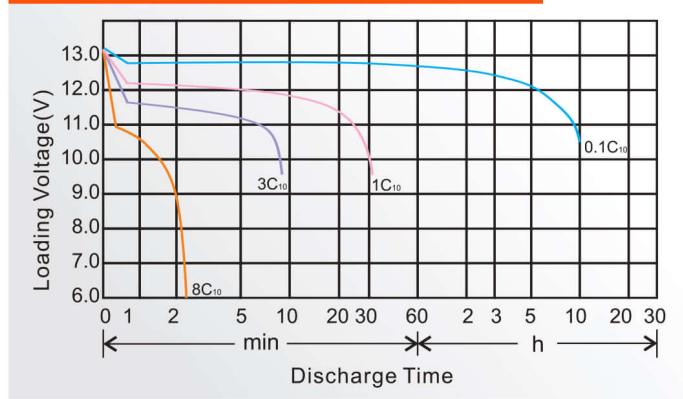
Retention of Charge Storage @25°C

1 month	97%	Directly Mounted	
3 month	90%	Directly Mounted	
6 month	80%	Current:1.2A	Constant Volts:14.8V Charging Hours:5H
12 month	60%	Current:1.2A	Constant Volts:14.8V Charging Hours:10H

★The above are average and data obtained from the first 3 charge/discharge cycles. These are not minimum values.

★The different item No. of battery can be developed according to the customer's demand

Discharge Characteristics 25°C



The relationship for OCV and Capacity 25°C

