
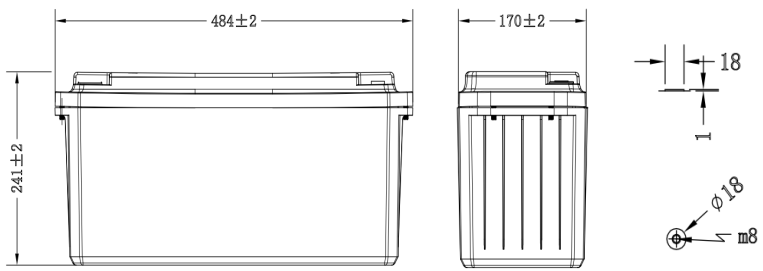



LITHIUM IRON PHOSPHATE ENERGY STORAGE BATTERY

MODEL: CNLFP200-12.8-BT

NO: 5143102150061-00130

Container Color		Plane Chart:	
	PANTONE		
	3516C		
	Black C		
	Terminal type	LC4	
	200 A	BMS	
20260316	Time		
			

Function	(NO) Digital Display	(YES) Bluetooth	Product Size: 484*170*241 (mm)
----------	----------------------	-----------------	--------------------------------

Parameter Chart:

Rated Voltage	12.8	V
Rated Capacity(25°C)	200	Ah
Series & Parallels	4 ~ 1	S/P
Voltage Range	9.2 ~ 14.6	V
Rated Energy	2560	Wh
Maximum Discharge Current	200	A
Maximum Charge Current	200	A
Discharge cut-off voltage	≥ 9.2	V
Charge voltage	14.6	V
Cycle life(@25°C ,100%DOD)	≥ 4000	Cycle
Float Voltage	13.6 ~ 13.8	V
Operating humidity	60 ± 25%	R.H.
Certified	CE/UN38.3	
Communication	Bluetooth	
Total Weight	Approx. 19.15 ± 5%	Kg
Operating temperature	Charging 0 ~ 50°C Discharging -20 ~ 65°C	

Long-term Storage

After the battery is charged, it should be used as soon as possible to avoid loss of usable capacity due to self-discharge.
 If storage is required, the battery needs to be stored in a low SOC state. The recommended storage conditions are: 20%~40%SOC, 0°C~35°C, relative humidity ≤60%.

Constant Current Discharge Characteristics (A, 25°C)

Time(h)	1.00	2.00	4.00	5.00	8.00	10.00	15.00	20.00
Current (A)	200.00	100.00	50.00	40.00	25.00	20.00	13.33	10.00

Constant Power Discharge Characteristics (Watt, 25°C)

Time(h)	1.00	2.00	4.00	5.00	8.00	10.00	15.00	20.00
Watt(W)	2560.0	1280.0	640.0	512.0	320.0	256.0	170.7	128.00

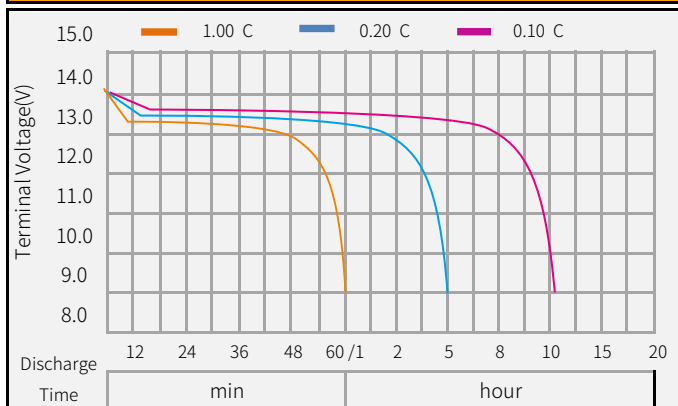
Capacity Factors With Different Temperature

Discharge	-20	-10	0	10	20	25	30	40	50	55	60
	≥55	≥70	≥90	≥95	≥100	≥100	≥100	≥98	≥97	≥95	≥93

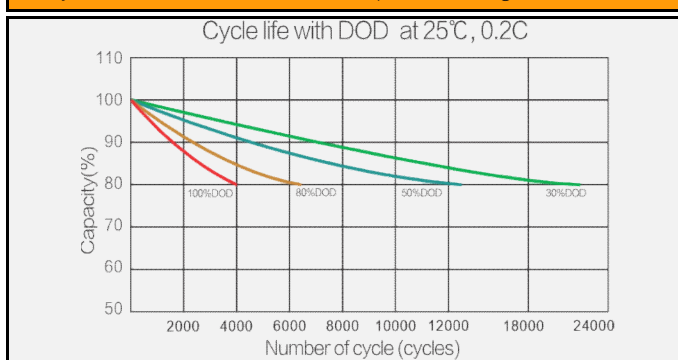
Matters needing attention

- ★ The above parameters are for reference only. The accurate parameters shall be based on the actual production order.
- ★ During usage, it is strictly prohibited to reverse the positive and negative terminals of the battery.
- ★ Please use a special charger for lithium-ion batteries when charging.
- ★ If series or parallel connection is required, please consult the agent or manufacturer.

Discharge Current 25°C



Cycle service life in relation to the depth of discharge



Charge and Discharge at 25°C,0.2C

